

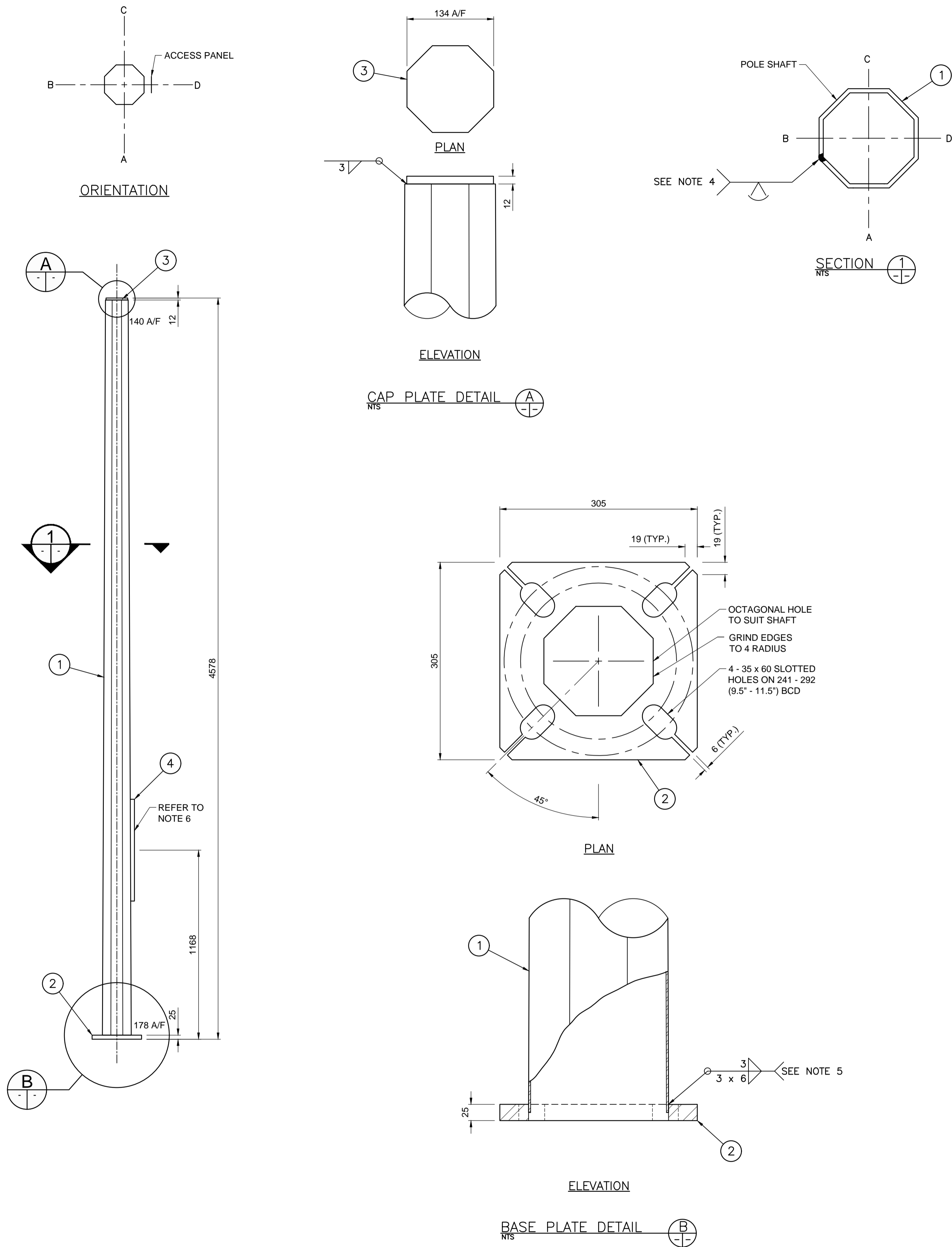
BILL OF MATERIALS

MK. NO.	QTY. REQ'D.	DESCRIPTION	SIZE	MATERIAL	REMARKS	LINE NO.
		4.572 m (15') STRAIGHT POLE - S15				1
1	1	OCTAGONAL SECTION SHAFT	178 A/F - 140 A/F x 3.083	CSA G40.21 350W		2
2	1	BASE PLATE	25 x 305 x 305	CSA G40.21 300W		3
3	1	CAP PLATE	134 A/F x 12 THK.	CSA G40.21 300W		4
						5
4	1	ACCESS PANEL			SEE NOTE 6	6

APPROXIMATE TOTAL MASS = 80 kg

NOTES:

- ALL MATERIALS, EXCEPT STAINLESS STEEL ITEMS, SHALL BE HOT DIP GALVANIZED IN ACCORDANCE WITH ASTM A123-09 (PLUS LATEST REVISIONS) WITH NET RETENTION OF 610 g/m<sup>2</sup>.
- PROVIDE RAISED IDENTIFICATION NUMBER WITH WELDING ELECTRODE AS PER SPECIFICATION, STRUCTURE TYPE CODE = S15.
- GRIND ALL SHARP POINTS AND EDGES.
- LONGITUDINAL SEAM WELD SHALL HAVE 60% MINIMUM PENETRATION EXCEPT WITHIN 150 mm OF BASE PLATE AND CAP PLATE SHALL BE COMPLETE PENETRATION.
- EXTERIOR WELD JOINING SHAFT TO BASE PLATE SHALL BE AN UNEQUAL LEG FILLET WELD WITH THE LONG LEG OF THE WELD ALONG THE SHAFT, TERMINATING AT 30' FROM THE SHAFT'S SURFACE.
- PROVIDE ACCESS PANEL IN ACCORDANCE WITH SHEET 17.



REDUCED DRAWING  
N.T.S.

DESIGNED BY CDW						
DRAWN BY JGW				RELEASED FOR CONSTRUCTION DATE:	CITY DRAWING NUMBER S-SD-15	
CHECKED BY SSR					CONSULTANT PROJECT NUMBER 12-5954	SHEET 15 OF 18 CONSULTANT DRAWING NUMBER N/A
APPROVED BY -				4.57 m (15') STRAIGHT POLE		
HOR. SCALE NTS VERTICAL NTS		DATE:				
NO. REVISIONS DATE BY		DATE:				